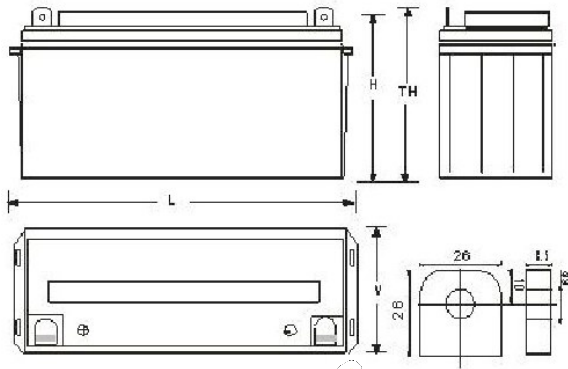
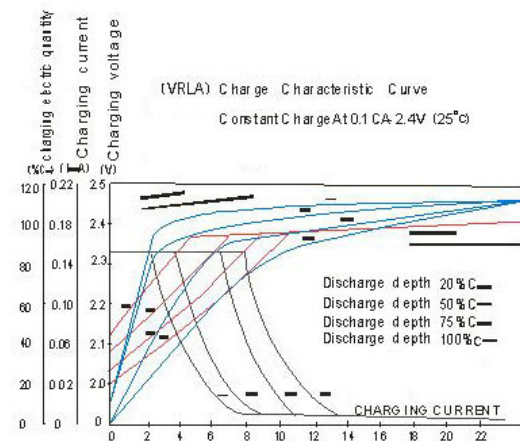
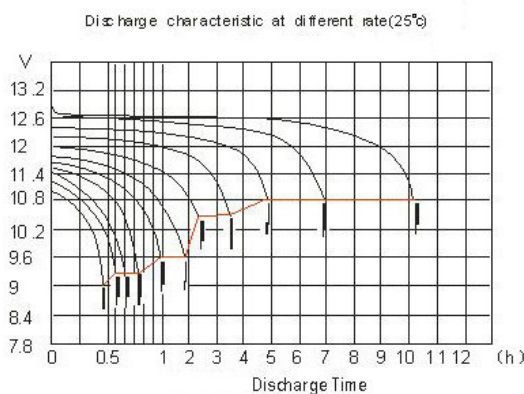


AGM 150AH/12V Deep Cycle No Maintenance Battery



Nominal Voltage	12V	
Internal Resistance	6.5mΩ	
Charging Condition	Float(25℃)	
	Cycle(25℃)	
Design Life	Float(25℃)	
	Cycle(25℃)	
Dimension	Length	485mm
	Width	170mm
	Height	240mm
	Total Height	245mm
		Self Discharge(25℃)

Nominal Capacity	150Ah
Max Continuous Discharge Current	450A
Voltage Range	13.6v~13.8v
Max Charging Current	30A
Voltage Range	14.4v~14.7v
Max Charging Current	37.5A
25℃	3~5 year
100% Discharge Depth	300 times
50% Discharge Depth	600 times
30% Discharge Depth	1500 times
One month	4%
Two months	7%
Three months	10%



General Features

- ☆ Sealed and maintenance free operation
- ☆ Safety valve installation for explosion proof
- ☆ Low self-discharge characteristic
- ☆ Long service life, the designed service life is 10 years
- ☆ Wide operating temperature range from 15℃-40℃
- ☆ Lead Aluminum calcium Tin alloy high energy, prevent corrosion